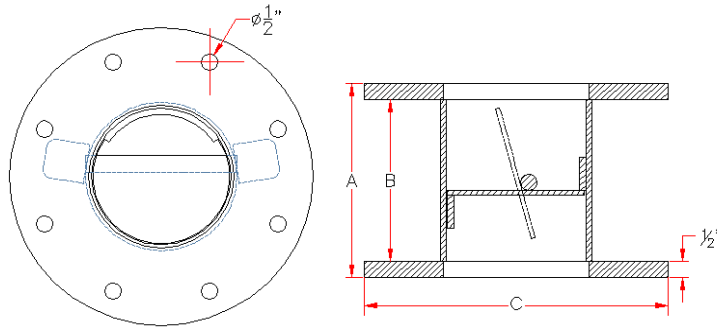




Submittal Data Information
PVC Gravity Damper

DIMENSIONS



STANDARD SIZE PVC GRAVITY DAMPER SPECIFICATION CHART					
MODEL NO.	NOMINAL DUCT SIZE	A*	B*	C	BOLT HOLE
GD-PVC-4	4"	6"	5"	9"	1/2"
GD-PVC-6	6"	7.625"	6.625"	11"	1/2"
GD-PVC-8	8"	9.625"	8.625"	13.50"	1/2"
GD-PVC-9	9"	10.375"	9.375"	15"	1/2"
GD-PVC-10	10"	11.750"	10.750"	16"	1/2"
GD-PVC-12	12"	13.750"	12.750"	19"	1/2"
GD-PVC-14	14"	15"	14"	21"	1/2"
GD-PVC-16	16"	17"	16"	23.50"	1/2"
GD-PVC-18	18"	19"	18"	25"	1/2"
GD-PVC-20	20"	21"	20"	27.5"	1/2"
GD-PVC-24	24"	25"	24"	32"	1/2"

*WITHIN 1/4 INCH

CONSTRUCTED FROM PVC DUCT AND TYPE I PVC SHEET FOR USE IN VENTILATION SYSTEMS

WELDED CONSTRUCTION USING 5/32" PVC WELDING ROD

ALL DIMENSIONS IN INCHES