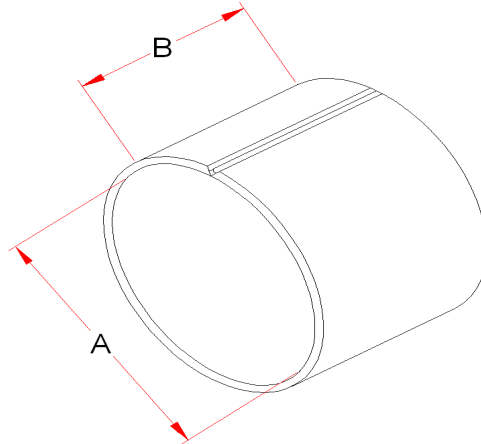




Submittal Data Information

PVC Couplings

DIMENSIONS



STANDARD SIZE PVC COUPLING SPECIFICATION CHART					
MODEL NO.	NOMINAL DUCT SIZE	AVERAGE DUCT O.D	AVERAGE WALL THICKNESS	A	B
CP-PVC-6	6	6.625	0.187	6.625 + 1/16	4
CP-PVC-7	7	7.375	0.187	7.375 + 1/16	4
CP-PVC-8	8	8.625	0.187	8.625 + 1/16	4
CP-PVC-9	9	9.375	0.187	9.375 + 1/16	4
CP-PVC-10	10	10.75	0.187	10.75 + 1/16	4
CP-PVC-12	12	12.75	0.187	12.75 + 1/16	4
CP-PVC-14	14	14	0.187	14 + 1/16	4
CP-PVC-16	16	16	0.187	16 + 1/16	4
CP-PVC-18	18	18	0.187	18 + 1/16	4
CP-PVC-20	20	20	0.219	20 + 1/16	6
CP-PVC-24	24	24	0.25	24 + 1/16	6

STANDARD SIZE COUPLINGS FABRICATED FROM SEAMLESS EXTRUDED PVC DUCT

ADDITIONAL CUSTOM SIZED COUPLINGS AVAILABLE UPON REQUEST

**COUPLINGS ARE TRIPLE-PASS WELDED USING 5/32" PVC WELDING ROD
(DEPENDING ON SIZE, COUPLINGS MAY HAVE 1-2 SEAMS)**

ALL DIMENSIONS IN INCHES