

IPF COLASIT PLASTIC FANS

• Corrosion Resistant • No Metal in the Air Stream • Fire Retardant PPs

Direct Drive/Belt-Drive
Medium-Pressure Radial Fans

Advantages of IPF Fans

- Solid polypropylene impeller
- Quality Swiss craftsmanship and proven technology
- Reliability and long life
- Highly efficient means lower operation costs
- ISO 9001
- Low noise level



Specifications *CMV125 to CMV400*

Size range	Intake/exhaust diameter 5" to 16"	Other features	Sleeved inlet and outlet
Performance	Flow rate to 7,500 CFM 10 in. w.g. maximum fan static pressure 75% efficiency		Housing drain Weather cover Optional hub seals available for specific applications
Radial impeller	Single-width centrifugal fan Clockwise or counterclockwise rotation 20 forward-curved streamlined blades Injection-molded in fire-retardant polypropylene or PVDF No metal in the air stream Dynamic and statically balanced	Support frame	Powder-coated sheet metal or optional stainless-steel fan support and motorplate
Fan housing	Self-supporting thermoformed and mechanically welded PVC, PPs (fire-retardant) and PVDF No exposed metal parts	Belt drive	Nonstatic and oil resistant V-belt Cast-iron pulleys, adjustable pulleys available Adjustment for tensioning and belt replacement
Bearings and shaft	Two permanently lubricated flange bearings and a rubberized sleeve enclosed in an injection-molded fiberglass case Carbon-steel shaft	Motor	Drives factory set to specified RPM Three phase or single phase Totally enclosed and fan cooled NEMA mounting Other motors available



IPF COLASIT PLASTIC FANS

• Corrosion Resistant • No Metal in the Air Stream • Fire Retardant PPs

To select the appropriate fan for your application, use the performance tables to locate the model that provides the CFM required at the static pressure specified. For highest efficiency, select the fan size that will handle the required capacity and pressure with the lowest horsepower motor. Please note that BHP is the fan horsepower and does not include an approximate 15% loss for drives systems.

Model CMV 400 Performance Table

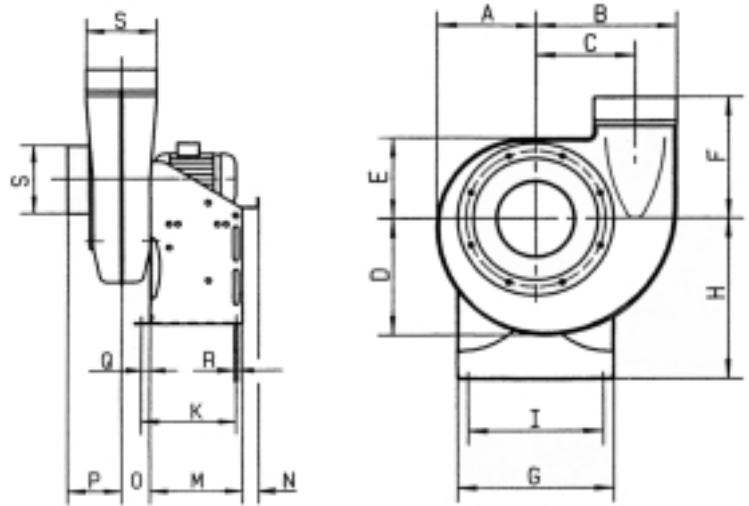
FAN STATIC PRESSURE (inches water gauge)

Volume CFM	Outlet Velocity	1		2		3		4		5		6		7		8	
		rpm	bhp	rpm	bhp	rpm	bhp	rpm	bhp	rpm	bhp	rpm	bhp	rpm	bhp	rpm	bhp
1500	1110	720	0.441	982	0.877	1192	1.356	1371	1.869	1531	2.418	1676	2.998	1810	3.607	1935	4.243
2000	1480	763	0.625	1009	1.167	1210	1.744	1385	2.356	1540	2.992	1683	3.662	1814	4.352	1937	5.069
2500	1850	818	0.860	1048	1.510	1240	2.195	1408	2.907	1559	3.643	1698	4.407	1827	5.194	1948	6.003
3000	2220	883	1.161	1096	1.913	1278	2.705	1440	3.527	1586	4.367	1721	5.232	1847	6.119	1965	7.023
3500	2585	955	1.543	1153	2.397	1325	3.294	1479	4.218	1620	5.167	1751	6.138	1874	7.133	1989	8.137
4000	2955	1032	2.018	1216	2.969	1378	3.966	1526	5.004	1661	6.055	1788	7.137	1907	8.235	2019	9.345
4500	3325	1114	2.606	1285	3.651	1438	4.748	1578	5.882	1709	7.052	1831	8.237	1946	9.440		
5000	3695	1199	3.318	1358	4.450	1503	5.649	1636	6.880	1761	8.149	1879	9.445	1990	10.752		
5500	4065	1286	4.163	1435	5.387	1572	6.680	1699	8.013	1819	9.387	1932	10.781	2040	12.204		
6000	4435	1376	5.168	1515	6.473	1645	7.862	1766	9.291	1881	10.766	1989	12.253				
6500	4805			1598	7.728	1721	9.205	1836	10.723	1946	12.293						
7000	5175			1683	9.160	1799	10.716	1910	12.344	2015	14.003						
7500	5545			1770	10.787	1881	12.442	1986	14.145								

MODEL CMV 400

Mechanical Specifications

Wheel diameter	22.05"
Tip speed	rpm x 5.772 = ft/min.
Maximum rpm	2050
Inlet/outlet diameter	15.75" I.D.
Inlet/outlet area	1.352 ft ²
Fan weight (w/o motor)	104 lb.



Dimensions (inches) Direct Drive/Belt Driven

CMV	A	B	C	D	E	F	G	H	I	K	L	M	O	P	Q	R	S
125	6.75	9.5	6.5	8	6	9	10.75	11	9	8.25	18	8	2.13	4.38	.75	.31	5
140	7.5	10.5	7.13	8.75	6.5	9.63	11.5	11.88	10	8.5	18.25	8.25	2.25	4.63	.75	.31	5.5
160	8.38	11.75	8.13	10	7	10.25	12.75	13.13	11	8.88	18.63	8.25	2.25	4.88	.75	.38	6.25
180	9.25	13.25	9	11	7.88	11.25	14	14.75	12.5	8.88	19.75	8.625	2.875	5.5	.75	.38	7
200	10.75	14.5	10	12.25	8.63	12.38	15.63	15.75	13.75	10.5	21.75	10.25	3.25	6.25	.75	.38	7.88
225	11.38	16.25	11.25	13.63	9.5	13.38	17.63	17.75	15.38	11.5	25.13	10.75	3.63	7.13	1.25	.5	8.88
250	12.5	17.88	12.5	15	10.5	14.5	19.5	19.63	17.13	11.5	29	10.75	4.13	7.88	1.25	.5	9.88
280	13.75	19.75	13.63	16.5	11.5	16	21.5	22	19	11.63	26	11.25	4.5	8.88	1.25	.5	11
315	15.5	22.25	15.63	18.63	13	17.75	24.13	24.88	21.5	13.25	26.5	12.75	5.25	9.88	1.25	.5	12.5
400	17.5	25.75	17.38	21.25	14.5	18.5	27	28	24.38	14.5	31.38	14.25	6.38	12.38	1.25	.5	15.75