

# IPF COLASIT PLASTIC FANS

• Corrosion Resistant • No Metal in the Air Stream • Fire Retardant PPs

Direct Drive/Belt-Drive  
Medium-Pressure Radial Fans

## Advantages of IPF Fans

- Solid polypropylene impeller
- Quality Swiss craftsmanship and proven technology
- Reliability and long life
- Highly efficient means lower operation costs
- ISO 9001
- Low noise level



## Specifications *CMV125 to CMV400*

Size range	Intake/exhaust diameter 5" to 16"	Other features	Sleeved inlet and outlet
Performance	Flow rate to 7,500 CFM 10 in. w.g. maximum fan static pressure 75% efficiency		Housing drain Weather cover Optional hub seals available for specific applications
Radial impeller	Single-width centrifugal fan Clockwise or counterclockwise rotation 20 forward-curved streamlined blades Injection-molded in fire-retardant polypropylene or PVDF No metal in the air stream Dynamic and statically balanced	Support frame	Powder-coated sheet metal or optional stainless-steel fan support and motorplate
Fan housing	Self-supporting thermoformed and mechanically welded PVC, PPs (fire-retardant) and PVDF No exposed metal parts	Belt drive	Nonstatic and oil resistant V-belt Cast-iron pulleys, adjustable pulleys available Adjustment for tensioning and belt replacement
Bearings and shaft	Two permanently lubricated flange bearings and a rubberized sleeve enclosed in an injection-molded fiberglass case Carbon-steel shaft	Motor	Drives factory set to specified RPM Three phase or single phase Totally enclosed and fan cooled NEMA mounting Other motors available



# IPF COLASIT PLASTIC FANS

• Corrosion Resistant • No Metal in the Air Stream • Fire Retardant PPs

To select the appropriate fan for your application, use the performance tables to locate the model that provides the CFM required at the static pressure specified. For highest efficiency, select the fan size that will handle the required capacity and pressure with the lowest horsepower motor. Please note that BHP is the fan horsepower and does not include an approximate 15% loss for drives systems.

## Model CMV 250 Performance Table

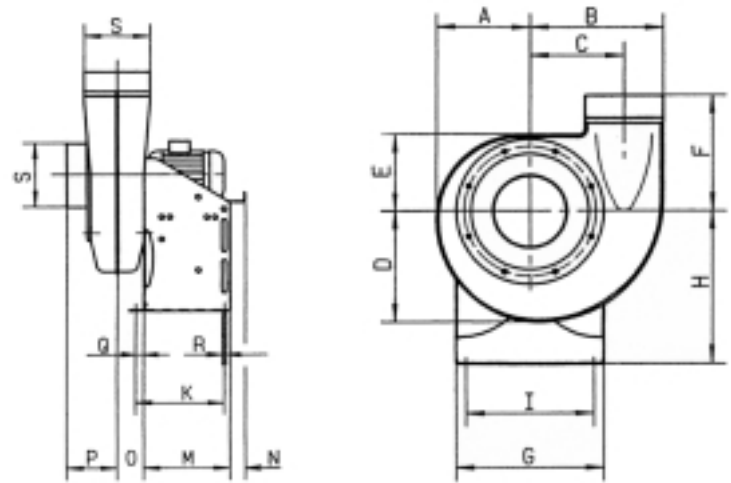
### FAN STATIC PRESSURE (inches water gauge)

Volume CFM	Outlet Velocity	1		2		3		4		5		6		7		8		9		10	
		rpm	bhp	rpm	bhp	rpm	bhp	rpm	bhp	rpm	bhp	rpm	bhp	rpm	bhp	rpm	bhp	rpm	bhp	rpm	bhp
600	1135	951	0.169	1288	0.336	1561	0.523	1797	0.727	2008	0.946	2200	1.176	2378	1.418	2544	1.670	2701	1.933	2849	2.203
800	1515	1021	.0246	1331	0.446	1589	0.666	1815	0.903	2018	1.154	2205	1.419	2378	1.694	2541	1.980	2694	2.275	2840	2.580
1000	1895	1112	0.351	1394	0.585	1636	0.838	1850	1.107	2046	1.392	2226	1.689	2394	1.997	2552	2.316	2702	2.645	2845	2.984
1200	2270	1216	0.491	1474	0.760	1699	1.046	1902	1.349	2088	1.665	2261	1.994	2423	2.335	2577	2.688	2723	3050		
1400	2650	1331	0.674	1566	0.977	1775	1.296	1967	1.633	2144	1.982	2310	2.345	2466	2.718	2614	3.102	2755	3.496		
1600	3030	1453	0.904	1668	1.243	1863	1.597	2043	1.966	2212	2.351	2370	2.745	2520	3.152	2663	3.570	2799	3.995		
1800	3405	1581	1.189	1778	1.564	1960	1.954	2130	2.359	2289	2.774	2440	3.202	2584	3.643	2721	4.092				
2000	3785	1712	1.535	1895	1.949	2065	2.375	2224	2.811	2376	3.265	2519	3.724	2657	4.198	2789	4.682				
2200	4165	1847	1.950	2016	2.399	2175	2.861	2326	3.337	2469	3.821	2606	4.317	2738	4.825						
2400	4540	1984	2.439	2142	2.928	2291	3.426	2433	3.935	2570	4.459	2700	4.988	2826	5.529						

### MODEL CMV 250

#### Mechanical Specifications

Wheel diameter	15.75"
Tip speed	rpm x 4.123 = ft/min.
Maximum rpm	2850
Inlet/outlet diameter	9.84" I.D.
Inlet/outlet area	0.528 ft <sup>2</sup>
Fan weight (w/o motor)	49 lb.



### Dimensions (inches) Direct Drive/Belt Driven

CMV	A	B	C	D	E	F	G	H	I	K	L	M	O	P	Q	R	S
125	6.75	9.5	6.5	8	6	9	10.75	11	9	8.25	18	8	2.13	4.38	.75	.31	5
140	7.5	10.5	7.13	8.75	6.5	9.63	11.5	11.88	10	8.5	18.25	8.25	2.25	4.63	.75	.31	5.5
160	8.38	11.75	8.13	10	7	10.25	12.75	13.13	11	8.88	18.63	8.25	2.25	4.88	.75	.38	6.25
180	9.25	13.25	9	11	7.88	11.25	14	14.75	12.5	8.88	19.75	8.625	2.875	5.5	.75	.38	7
200	10.75	14.5	10	12.25	8.63	12.38	15.63	15.75	13.75	10.5	21.75	10.25	3.25	6.25	.75	.38	7.88
225	11.38	16.25	11.25	13.63	9.5	13.38	17.63	17.75	15.38	11.5	25.13	10.75	3.63	7.13	1.25	.5	8.88
250	12.5	17.88	12.5	15	10.5	14.5	19.5	19.63	17.13	11.5	29	10.75	4.13	7.88	1.25	.5	9.88
280	13.75	19.75	13.63	16.5	11.5	16	21.5	22	19	11.63	26	11.25	4.5	8.88	1.25	.5	11
315	15.5	22.25	15.63	18.63	13	17.75	24.13	24.88	21.5	13.25	26.5	12.75	5.25	9.88	1.25	.5	12.5
400	17.5	25.75	17.38	21.25	14.5	18.5	27	28	24.38	14.5	31.38	14.25	6.38	12.38	1.25	.5	15.75