

IPF COLASIT PLASTIC FANS

• Corrosion Resistant • No Metal in the Air Stream • Fire Retardant PPs

Direct Drive/Belt-Drive
Medium-Pressure Radial Fans

Advantages of IPF Fans

- Solid polypropylene impeller
- Quality Swiss craftsmanship and proven technology
- Reliability and long life
- Highly efficient means lower operation costs
- ISO 9001
- Low noise level



Specifications *CMV125 to CMV400*

Size range	Intake/exhaust diameter 5" to 16"	Other features	Sleeved inlet and outlet
Performance	Flow rate to 7,500 CFM 10 in. w.g. maximum fan static pressure 75% efficiency		Housing drain Weather cover Optional hub seals available for specific applications
Radial impeller	Single-width centrifugal fan Clockwise or counterclockwise rotation 20 forward-curved streamlined blades Injection-molded in fire-retardant polypropylene or PVDF No metal in the air stream Dynamic and statically balanced	Support frame	Powder-coated sheet metal or optional stainless-steel fan support and motorplate
Fan housing	Self-supporting thermoformed and mechanically welded PVC, PPs (fire-retardant) and PVDF No exposed metal parts	Belt drive	Nonstatic and oil resistant V-belt Cast-iron pulleys, adjustable pulleys available Adjustment for tensioning and belt replacement
Bearings and shaft	Two permanently lubricated flange bearings and a rubberized sleeve enclosed in an injection-molded fiberglass case Carbon-steel shaft	Motor	Drives factory set to specified RPM Three phase or single phase Totally enclosed and fan cooled NEMA mounting Other motors available



IPF COLASIT PLASTIC FANS

• Corrosion Resistant • No Metal in the Air Stream • Fire Retardant PPs

To select the appropriate fan for your application, use the performance tables to locate the model that provides the CFM required at the static pressure specified. For highest efficiency, select the fan size that will handle the required capacity and pressure with the lowest horsepower motor. Please note that BHP is the fan horsepower and does not include an approximate 15% loss for drives systems.

Model CMV 225 Performance Table

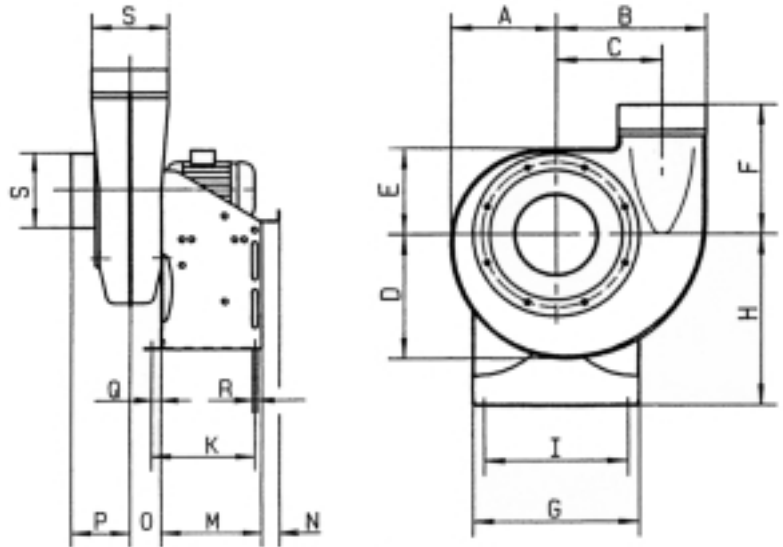
FAN STATIC PRESSURE (inches water gauge)

Volume CFM	Outlet Velocity	1		2		3		4		5		6		7		8		9	
		rpm	bhp	rpm	bhp	rpm	bhp	rpm	bhp	rpm	bhp	rpm	bhp	rpm	bhp	rpm	bhp	rpm	bhp
400	935	1034	0.105	1438	0.216	1758	0.339	2030	0.470	2271	0.609	2490	0.754	2692	0.906	2881	1.064	3058	1.227
600	1400	1093	0.164	1469	0.314	1774	0.474	2037	0.643	2272	0.819	2487	1.003	2685	1.192	2870	1.386	3045	1.587
800	1870	1183	0.245	1528	0.432	1816	0.630	2068	0.837	2294	1.051	2503	1.273	2696	1.499	2877	1.732	3049	1.971
1000	2335	1295	0.355	1610	0.578	1879	0.813	2118	1.058	2336	1.310	2537	1.570	2724	1.834	2901	2.105	3068	2.381
1200	2805	1423	0.503	1709	0.760	1960	1.031	2186	1.313	2394	1.603	2587	1.900	2768	2.203	2939	2.511	3102	2.826
1400	3270			1823	0.987	2057	1.294	2270	1.611	2467	1.937	2652	2.271	2826	2.612	2992	2.960	3149	3.310
1600	3740			1948	1.265	2166	1.607	2366	1.959	2554	2.323	2730	2.693	2897	3.070	3057	3.455		
1800	4205			2082	1.605	2285	1.980	2474	2.368	2651	2.764	2820	3.173	2980	3.586	3133	4.006		
2000	4675					2413	2.421	2590	2.841	2759	3.275	2919	3.716	3072	4.165				

MODEL CMV 225

Mechanical Specifications

Wheel diameter	13.98"
Tip speed	rpm x 3.659 = ft/min.
Maximum rpm	3200
Inlet/outlet diameter	8.86" I.D.
Inlet/outlet area	0.428 ft ²
Fan weight (w/o motor)	37 lb.



Dimensions (inches) Direct Drive/Belt Driven

CMV	A	B	C	D	E	F	G	H	I	K	L	M	O	P	Q	R	S
125	6.75	9.5	6.5	8	6	9	10.75	11	9	8.25	18	8	2.13	4.38	.75	.31	5
140	7.5	10.5	7.13	8.75	6.5	9.63	11.5	11.88	10	8.5	18.25	8.25	2.25	4.63	.75	.31	5.5
160	8.38	11.75	8.13	10	7	10.25	12.75	13.13	11	8.88	18.63	8.25	2.25	4.88	.75	.38	6.25
180	9.25	13.25	9	11	7.88	11.25	14	14.75	12.5	8.88	19.75	8.625	2.875	5.5	.75	.38	7
200	10.75	14.5	10	12.25	8.63	12.38	15.63	15.75	13.75	10.5	21.75	10.25	3.25	6.25	.75	.38	7.88
225	11.38	16.25	11.25	13.63	9.5	13.38	17.63	17.75	15.38	11.5	25.13	10.75	3.63	7.13	1.25	.5	8.88
250	12.5	17.88	12.5	15	10.5	14.5	19.5	19.63	17.13	11.5	29	10.75	4.13	7.88	1.25	.5	9.88
280	13.75	19.75	13.63	16.5	11.5	16	21.5	22	19	11.63	26	11.25	4.5	8.88	1.25	.5	11
315	15.5	22.25	15.63	18.63	13	17.75	24.13	24.88	21.5	13.25	26.5	12.75	5.25	9.88	1.25	.5	12.5
400	17.5	25.75	17.38	21.25	14.5	18.5	27	28	24.38	14.5	31.38	14.25	6.38	12.38	1.25	.5	15.75