

# IPF COLASIT PLASTIC FANS

• Corrosion Resistant • No Metal in the Air Stream • Fire Retardant PPs

Direct Drive/Belt-Drive  
Medium-Pressure Radial Fans

## Advantages of IPF Fans

- Solid polypropylene impeller
- Quality Swiss craftsmanship and proven technology
- Reliability and long life
- Highly efficient means lower operation costs
- ISO 9001
- Low noise level



## Specifications *CMV125 to CMV400*

Size range	Intake/exhaust diameter 5" to 16"	Other features	Sleeved inlet and outlet
Performance	Flow rate to 7,500 CFM 10 in. w.g. maximum fan static pressure 75% efficiency		Housing drain Weather cover Optional hub seals available for specific applications
Radial impeller	Single-width centrifugal fan Clockwise or counterclockwise rotation 20 forward-curved streamlined blades Injection-molded in fire-retardant polypropylene or PVDF No metal in the air stream Dynamic and statically balanced	Support frame	Powder-coated sheet metal or optional stainless-steel fan support and motorplate
Fan housing	Self-supporting thermoformed and mechanically welded PVC, PPs (fire-retardant) and PVDF No exposed metal parts	Belt drive	Nonstatic and oil resistant V-belt Cast-iron pulleys, adjustable pulleys available Adjustment for tensioning and belt replacement
Bearings and shaft	Two permanently lubricated flange bearings and a rubberized sleeve enclosed in an injection-molded fiberglass case Carbon-steel shaft	Motor	Drives factory set to specified RPM Three phase or single phase Totally enclosed and fan cooled NEMA mounting Other motors available



# IPF COLASIT PLASTIC FANS

• Corrosion Resistant • No Metal in the Air Stream • Fire Retardant PPs

To select the appropriate fan for your application, use the performance tables to locate the model that provides the CFM required at the static pressure specified. For highest efficiency, select the fan size that will handle the required capacity and pressure with the lowest horsepower motor. Please note that BHP is the fan horsepower and does not include an approximate 15% loss for drives systems.

## Model CMV 200 Performance Table

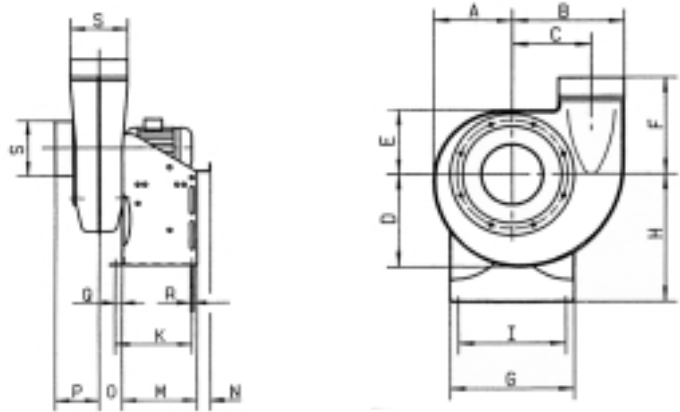
### FAN STATIC PRESSURE (inches water gauge)

Volume CFM	Outlet Velocity	1		2		3		4		5		6		7		8		9	
		rpm	bhp	rpm	bhp	rpm	bhp	rpm	bhp	rpm	bhp	rpm	bhp	rpm	bhp	rpm	bhp	rpm	bhp
300	885	1161	0.079	1620	0.164	1981	0.258	2288	0.358	2561	0.465	2808	0.577	3036	0.693	3249	0.815	3449	0.941
400	1180	1196	0.106	1636	0.210	1987	0.323	2289	0.442	2557	0.567	2802	0.698	3027	0.834	3238	0.974	3436	1.118
500	1480	1247	0.139	1665	0.262	2006	0.394	2300	0.532	2564	0.676	2804	0.826	3027	0.980	3235	1.139	3431	1.301
600	1775	1312	0.179	1707	0.321	2035	0.471	2322	0.629	2579	0.792	2815	0.960	3034	1.133	3240	1.311	3434	1.493
700	2070	1387	0.228	1760	0.388	2075	0.557	2353	0.733	2604	0.916	2835	1.103	3050	1.295	3252	1.492	3443	1.692
800	2365	1470	0.288	1822	0.465	2124	0.653	2393	0.848	2637	1.049	2863	1.256	3073	1.466	3272	1.682	3460	1.902
900	2660	1561	0.359	1892	0.554	2181	0.760	2440	0.973	2678	1.194	2898	1.419	3104	1.649	3298	1.883	3483	2.122
1000	2955	1657	0.445	1970	0.657	2245	0.880	2495	1.112	2725	1.350	2940	1.595	3141	1.844	3331	1.096	3513	2.355
1100	3250	1758	0.545	2053	0.774	2316	1.015	2557	1.265	2780	1.522	2988	1.784	3184	2.052	3371	2.325	3548	2.600
1200	3545			2141	0.908	2393	1.167	2624	1.434	2840	1.709	3042	1.990	3233	2.275	3415	2.566	3589	2.862
1300	3845			2233	1.060	2474	1.335	2697	1.621	2905	1.913	3102	2.213	3288	2.517	3466	2.827		
1400	4140			2330	1.232	2560	1.524	2774	1.826	2976	2.137	3166	2.453	3348	2.777	3521	3.105		
1500	4435			2429	1.425	2650	1.735	2856	2.054	3051	2.382	3235	2.715	3412	3.057	3581	3.403		
1600	4730			2532	1.642	2743	1.967	2941	2.302	3130	2.649	3309	3.000	3480	3.358				
1700	5025			2637	1.882	2839	2.224	3030	2.576	3212	2.938	3386	3.308	3553	3.685				

### MODEL CMV 200

#### Mechanical Specifications

Wheel diameter	12.40"
Tip speed	rpm x 3.247 = ft/min.
Maximum rpm	3600
Inlet/outlet diameter	7.87" I.D.
Inlet/outlet area	0.338 ft <sup>2</sup>
Fan weight (w/o motor)	31 lb.



### Dimensions (inches) Direct Drive/Belt Driven

CMV	A	B	C	D	E	F	G	H	I	K	L	M	O	P	Q	R	S
125	6.75	9.5	6.5	8	6	9	10.75	11	9	8.25	18	8	2.13	4.38	.75	.31	5
140	7.5	10.5	7.13	8.75	6.5	9.63	11.5	11.88	10	8.5	18.25	8.25	2.25	4.63	.75	.31	5.5
160	8.38	11.75	8.13	10	7	10.25	12.75	13.13	11	8.88	18.63	8.25	2.25	4.88	.75	.38	6.25
180	9.25	13.25	9	11	7.88	11.25	14	14.75	12.5	8.88	19.75	8.625	2.875	5.5	.75	.38	7
200	10.75	14.5	10	12.25	8.63	12.38	15.63	15.75	13.75	10.5	21.75	10.25	3.25	6.25	.75	.38	7.88
225	11.38	16.25	11.25	13.63	9.5	13.38	17.63	17.75	15.38	11.5	25.13	10.75	3.63	7.13	1.25	.5	8.88
250	12.5	17.88	12.5	15	10.5	14.5	19.5	19.63	17.13	11.5	29	10.75	4.13	7.88	1.25	.5	9.88
280	13.75	19.75	13.63	16.5	11.5	16	21.5	22	19	11.63	26	11.25	4.5	8.88	1.25	.5	11
315	15.5	22.25	15.63	18.63	13	17.75	24.13	24.88	21.5	13.25	26.5	12.75	5.25	9.88	1.25	.5	12.5
400	17.5	25.75	17.38	21.25	14.5	18.5	27	28	24.38	14.5	31.38	14.25	6.38	12.38	1.25	.5	15.75