

IPF COLASIT PLASTIC FANS

• Corrosion Resistant • No Metal in the Air Stream • Fire Retardant PPs

Direct Drive/Belt-Drive
Medium-Pressure Radial Fans

Advantages of IPF Fans

- Solid polypropylene impeller
- Quality Swiss craftsmanship and proven technology
- Reliability and long life
- Highly efficient means lower operation costs
- ISO 9001
- Low noise level



Specifications *CMV125 to CMV400*

Size range	Intake/exhaust diameter 5" to 16"	Other features	Sleeved inlet and outlet
Performance	Flow rate to 7,500 CFM 10 in. w.g. maximum fan static pressure 75% efficiency		Housing drain Weather cover Optional hub seals available for specific applications
Radial impeller	Single-width centrifugal fan Clockwise or counterclockwise rotation 20 forward-curved streamlined blades Injection-molded in fire-retardant polypropylene or PVDF No metal in the air stream Dynamic and statically balanced	Support frame	Powder-coated sheet metal or optional stainless-steel fan support and motorplate
Fan housing	Self-supporting thermoformed and mechanically welded PVC, PPs (fire-retardant) and PVDF No exposed metal parts	Belt drive	Nonstatic and oil resistant V-belt Cast-iron pulleys, adjustable pulleys available Adjustment for tensioning and belt replacement
Bearings and shaft	Two permanently lubricated flange bearings and a rubberized sleeve enclosed in an injection-molded fiberglass case Carbon-steel shaft	Motor	Drives factory set to specified RPM Three phase or single phase Totally enclosed and fan cooled NEMA mounting Other motors available



IPF COLASIT PLASTIC FANS

• Corrosion Resistant • No Metal in the Air Stream • Fire Retardant PPs

To select the appropriate fan for your application, use the performance tables to locate the model that provides the CFM required at the static pressure specified. For highest efficiency, select the fan size that will handle the required capacity and pressure with the lowest horsepower motor. Please note that BHP is the fan horsepower and does not include an approximate 15% loss for drives systems.

Model CMV 180 Performance Table

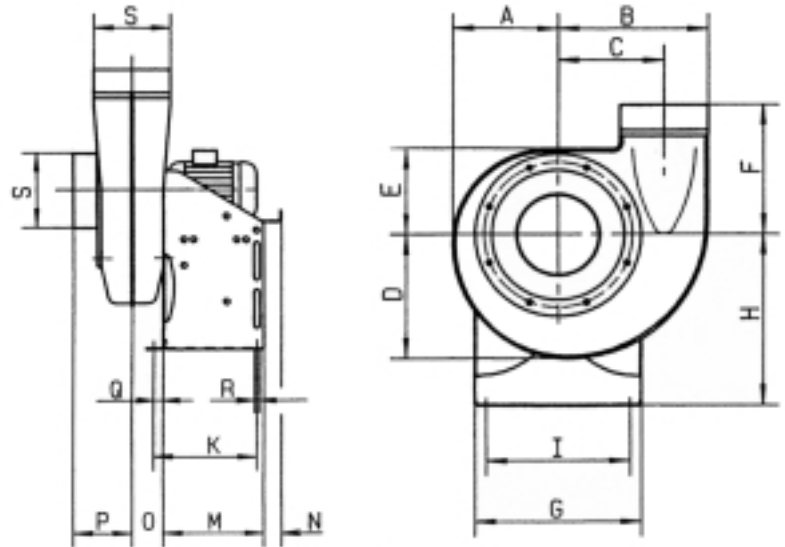
FAN STATIC PRESSURE (inches water gauge)

Volume CFM	Outlet Velocity	.5		1		1.5		2		2.5		3		4		5		6	
		rpm	bhp	rpm	bhp	rpm	bhp	rpm	bhp	rpm	bhp	rpm	bhp	rpm	bhp	rpm	bhp	rpm	bhp
200	730	1108	0.037	1466	0.072	1751	0.111	1994	0.153	2210	0.199	2406	0.247	2756	0.350	3066	0.462	3346	0.582
300	1095	1263	0.065	1591	0.112	1860	0.162	2093	0.215	2302	0.271	2492	0.329	2835	0.453	3139	0.584	3416	0.724
400	1460	1449	0.109	1745	0.168	1996	0.230	2217	0.294	2417	0.361	2601	0.430	2933	0.575	3230	0.728	3502	0.888
500	1825	1656	0.173	1922	0.244	2154	0.318	2362	0.395	2552	0.473	2729	0.554	3050	0.722	3338	0.896		
600	2190	1877	0.262	2117	0.346	2331	0.432	2526	0.521	2706	0.612	2874	0.704	3182	0.895	3462	1.092		
700	2555	2109	0.382	2326	0.478	2524	0.577	2705	0.678	2875	0.781	3035	0.886	3330	1.100	3600	1.322		
800	2920			2545	0.645	2728	0.757	2898	0.871	3057	0.986	3209	1.103	3491	1.342				
900	3285			2773	0.854	2941	0.977	3100	1.104	3251	1.232	3394	1.361						
1000	3650			3006	1.107	3163	1.244	3312	1.383	3453	1.522	3589	1.665						

MODEL CMV 180

Mechanical Specifications

Wheel diameter	11.02"
Tip speed	rpm x 2.886 = ft/min.
Maximum rpm	3600
Inlet/outlet diameter	7.09" I.D.
Inlet/outlet area	0.274 ft ²
Fan weight (w/o motor)	22 lb.



Dimensions (inches) Direct Drive/Belt Driven

CMV	A	B	C	D	E	F	G	H	I	K	L	M	O	P	Q	R	S
125	6.75	9.5	6.5	8	6	9	10.75	11	9	8.25	18	8	2.13	4.38	.75	.31	5
140	7.5	10.5	7.13	8.75	6.5	9.63	11.5	11.88	10	8.5	18.25	8.25	2.25	4.63	.75	.31	5.5
160	8.38	11.75	8.13	10	7	10.25	12.75	13.13	11	8.88	18.63	8.25	2.25	4.88	.75	.38	6.25
180	9.25	13.25	9	11	7.88	11.25	14	14.75	12.5	8.88	19.75	8.625	2.875	5.5	.75	.38	7
200	10.75	14.5	10	12.25	8.63	12.38	15.63	15.75	13.75	10.5	21.75	10.25	3.25	6.25	.75	.38	7.88
225	11.38	16.25	11.25	13.63	9.5	13.38	17.63	17.75	15.38	11.5	25.13	10.75	3.63	7.13	1.25	.5	8.88
250	12.5	17.88	12.5	15	10.5	14.5	19.5	19.63	17.13	11.5	29	10.75	4.13	7.88	1.25	.5	9.88
280	13.75	19.75	13.63	16.5	11.5	16	21.5	22	19	11.63	26	11.25	4.5	8.88	1.25	.5	11
315	15.5	22.25	15.63	18.63	13	17.75	24.13	24.88	21.5	13.25	26.5	12.75	5.25	9.88	1.25	.5	12.5
400	17.5	25.75	17.38	21.25	14.5	18.5	27	28	24.38	14.5	31.38	14.25	6.38	12.38	1.25	.5	15.75